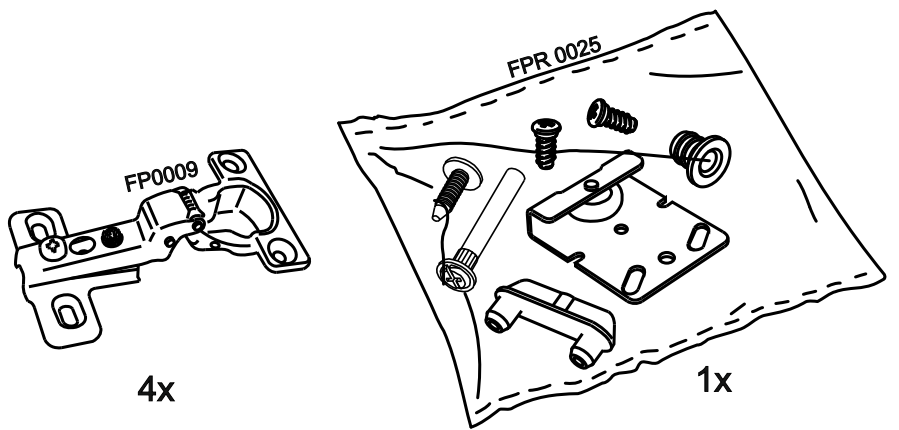
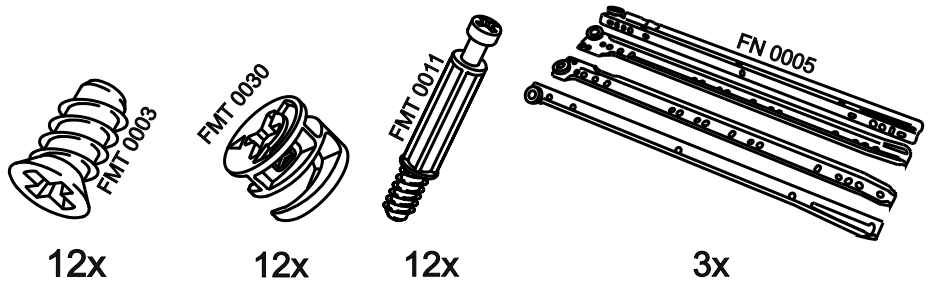
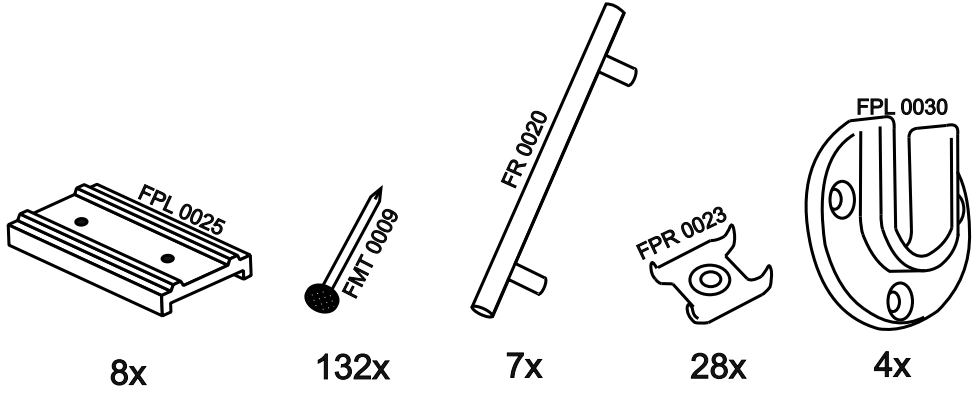
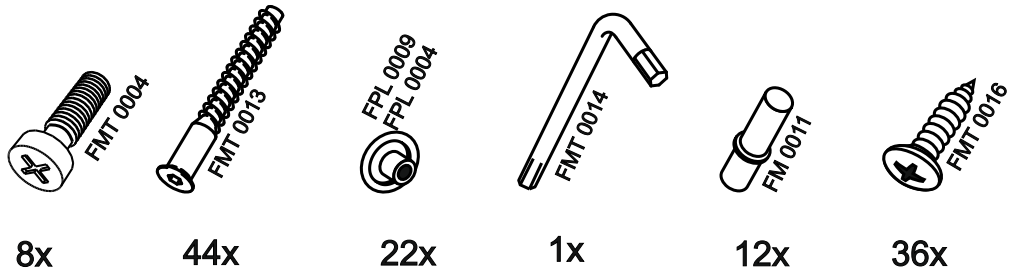


# KP01





| №  | code    | a*b      | x |
|----|---------|----------|---|
| 1  | KP01.01 | 2084*562 | 2 |
| 2  | KP01.02 | 1968*520 | 1 |
| 3  | KP01.03 | 1968*520 | 1 |
| 4  | KP01.04 | 1700*578 | 1 |
| 5  | KP01.05 | 1668*562 | 1 |
| 6  | KP01.06 | 1668*100 | 2 |
| 7  | KP01.07 | 545*520  | 2 |
| 8  | KP01.08 | 545*478  | 1 |
| 9  | KP01.09 | 545*478  | 3 |
| 10 | KP01.10 | 545*100  | 1 |
| 11 | KP01.11 | 1700*100 | 1 |
| 12 | KP01.12 | 450*100  | 6 |
| 13 | KP01.13 | 489*100  | 3 |
| 14 | KP01.14 | 538*156  | 3 |
| 15 | KP01.15 | 1380*267 | 2 |
| 16 | KP01.16 | 1924*554 | 1 |
| 17 | KP01.17 | 1924*554 | 1 |
| 18 | KP01.18 | 2000*562 | 3 |
| 19 | KP01.19 | 520*455  | 3 |
| 20 | KP01.20 | 544 mm   | 2 |
| 21 | KP01.21 | 1666 mm  | 1 |
| 22 | KP01.22 | 1666 mm  | 1 |

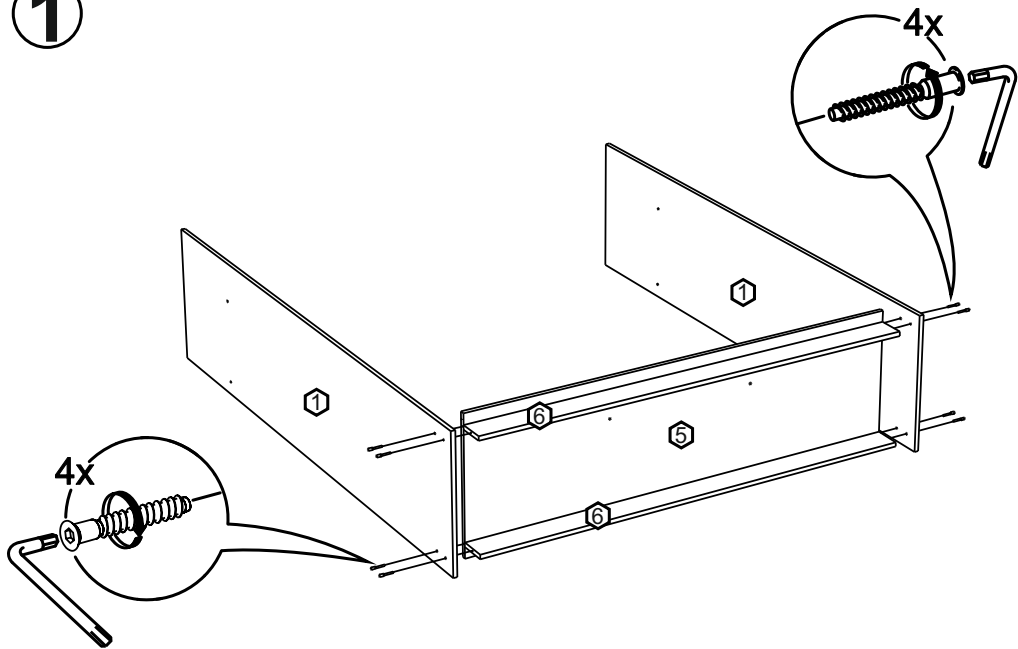
В мебельном наборе могут быть конструктивные изменения, не ухудшающие качество изделия, но не указанные в данной инструкции.

In furniture KIT, there may be changes, not specified in this manual, which don't deteriorate the quality of the produkt.

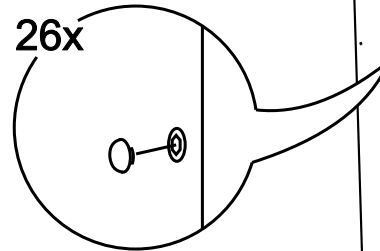
**!Внимание!** Максимальная нагрузка на ящик составляет 12 кг.

**!Remember!** Total weight of goods in the drawer shouldn't be over 12 kg.

1



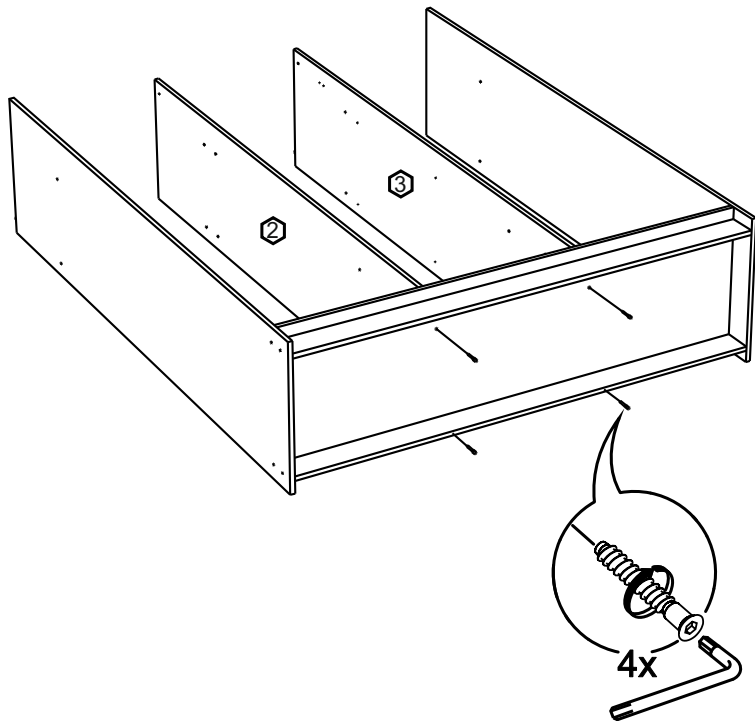
26x



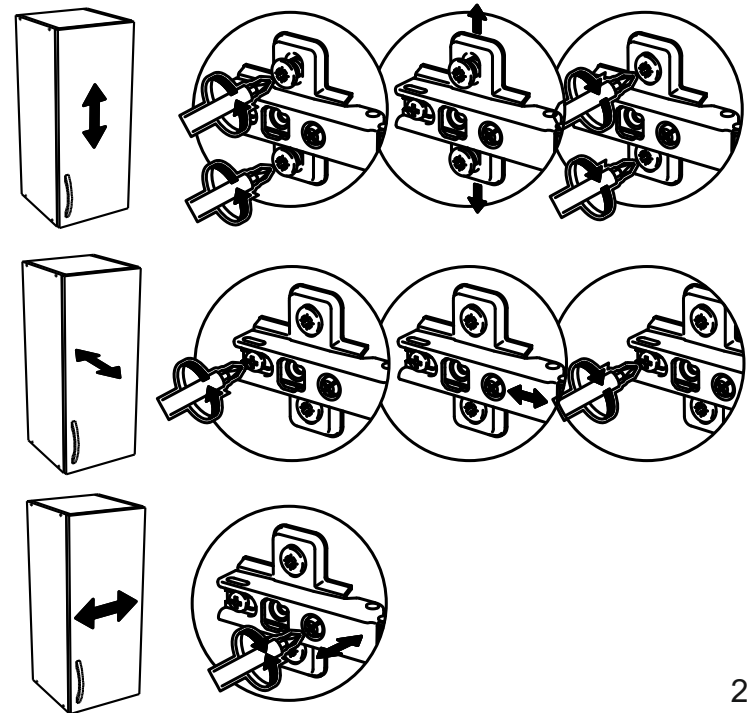
FPL 0009  
FPL 0004



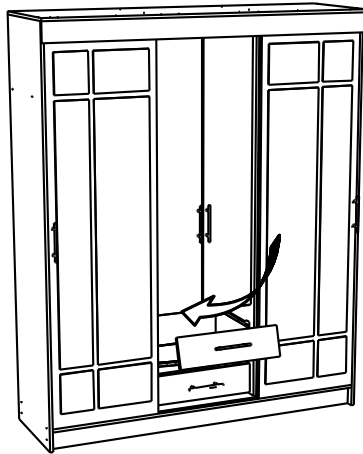
2



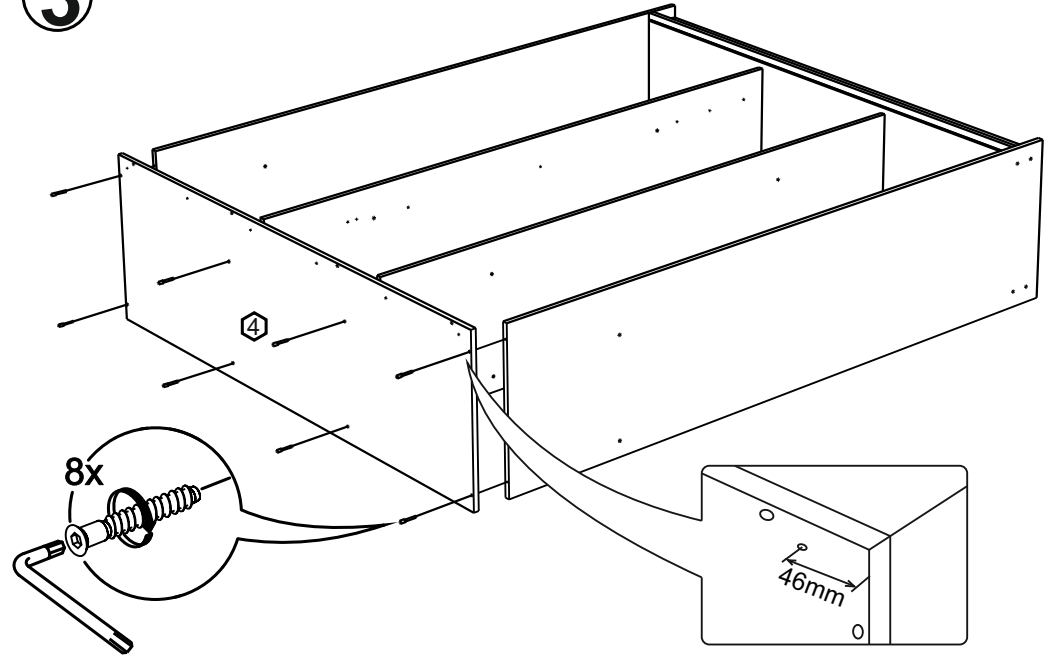
31



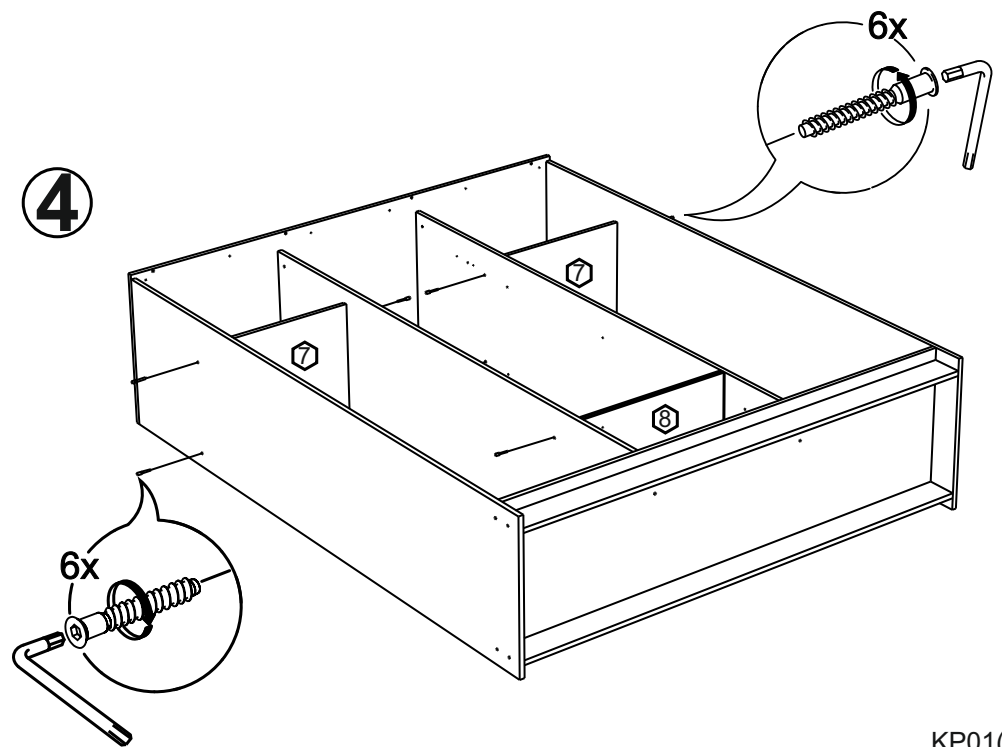
29



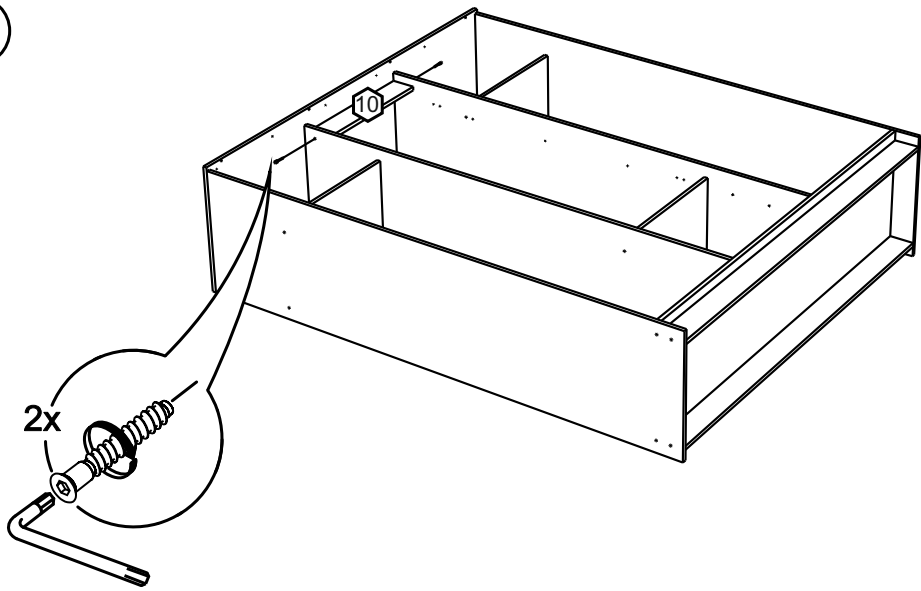
3



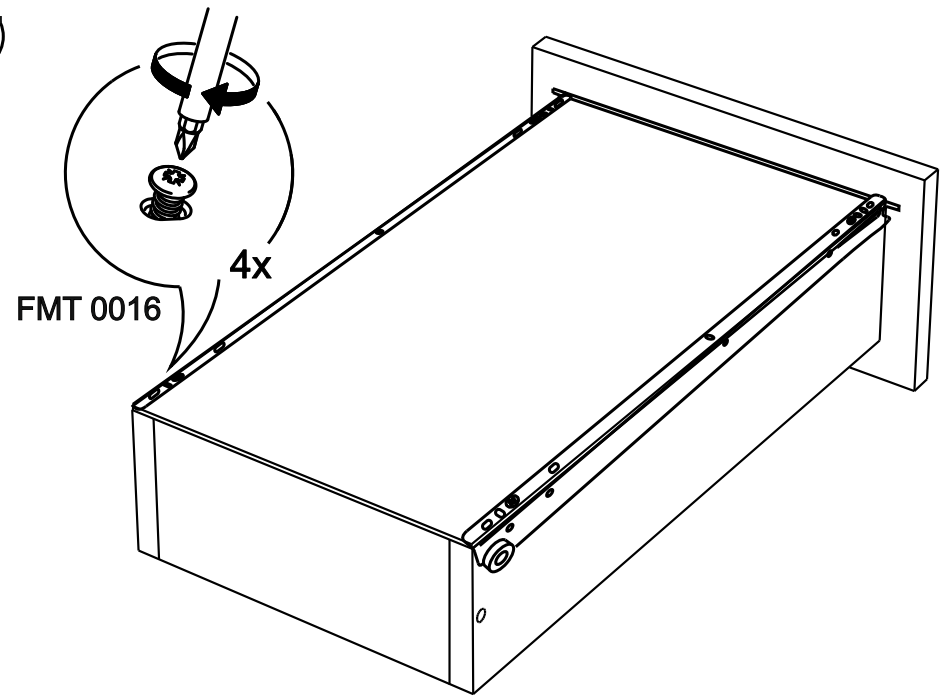
4



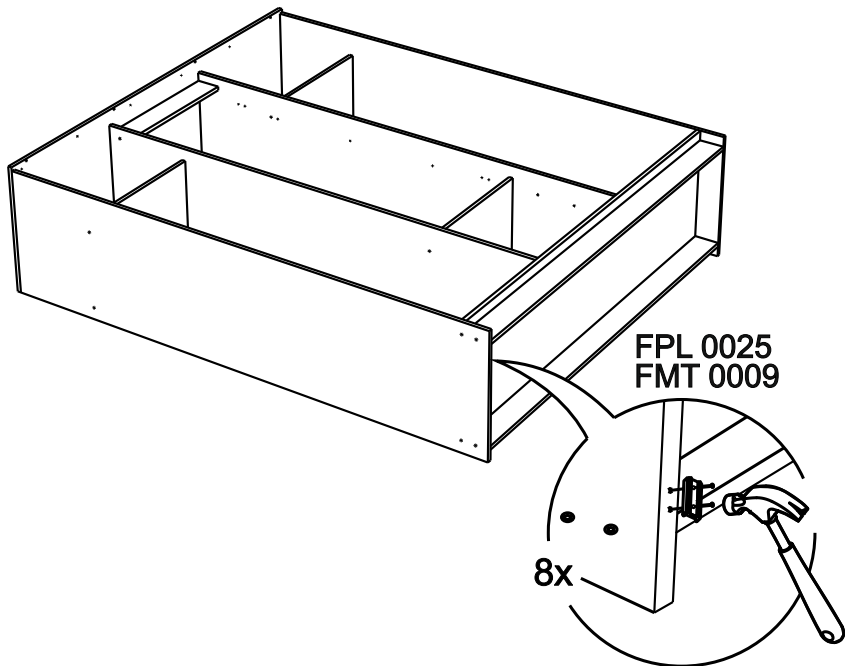
5



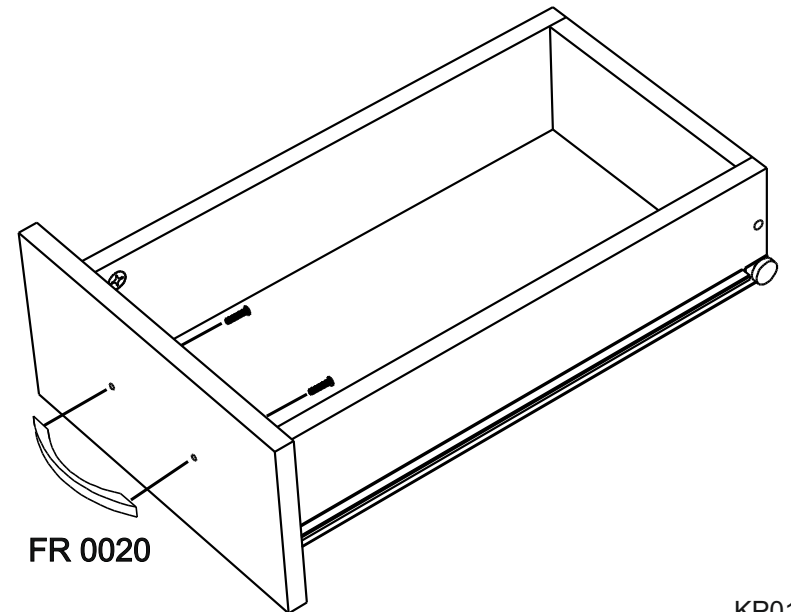
27



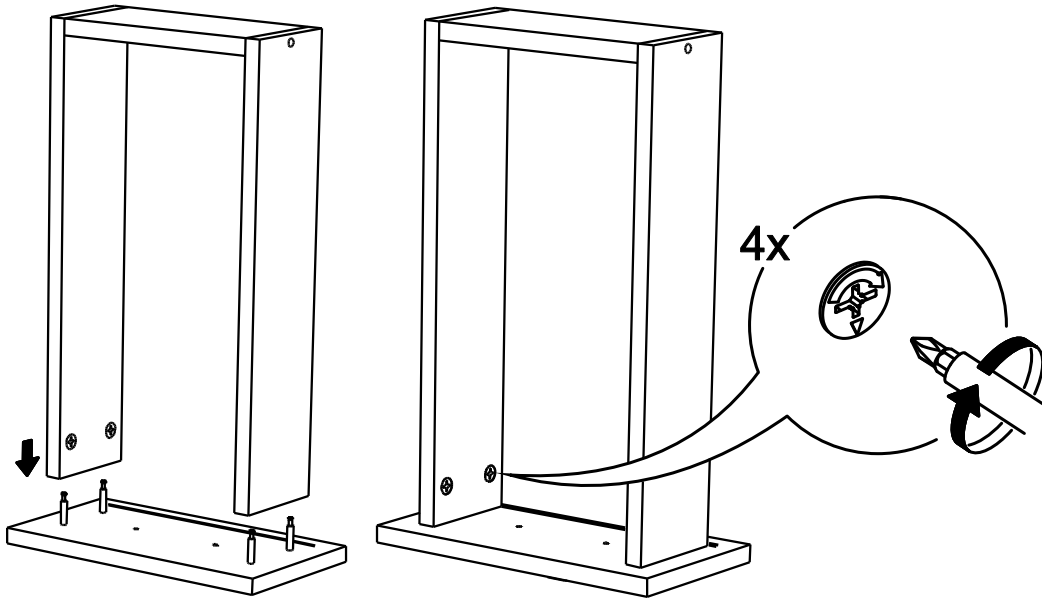
6



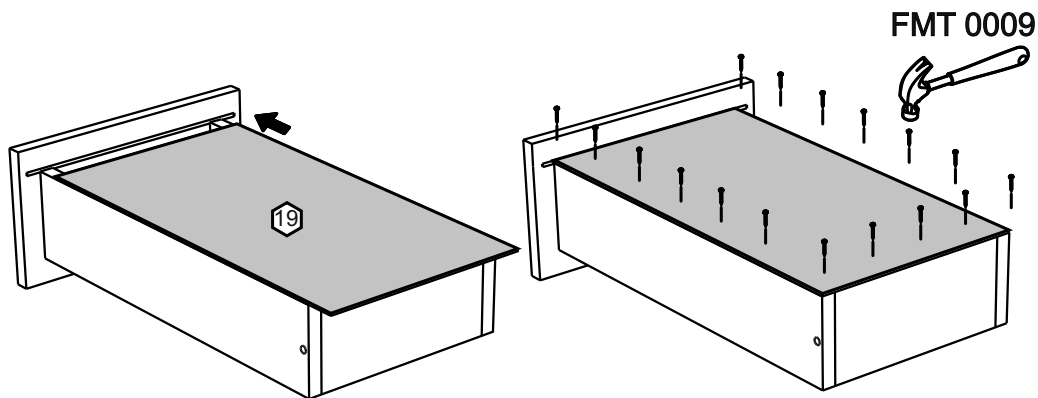
28



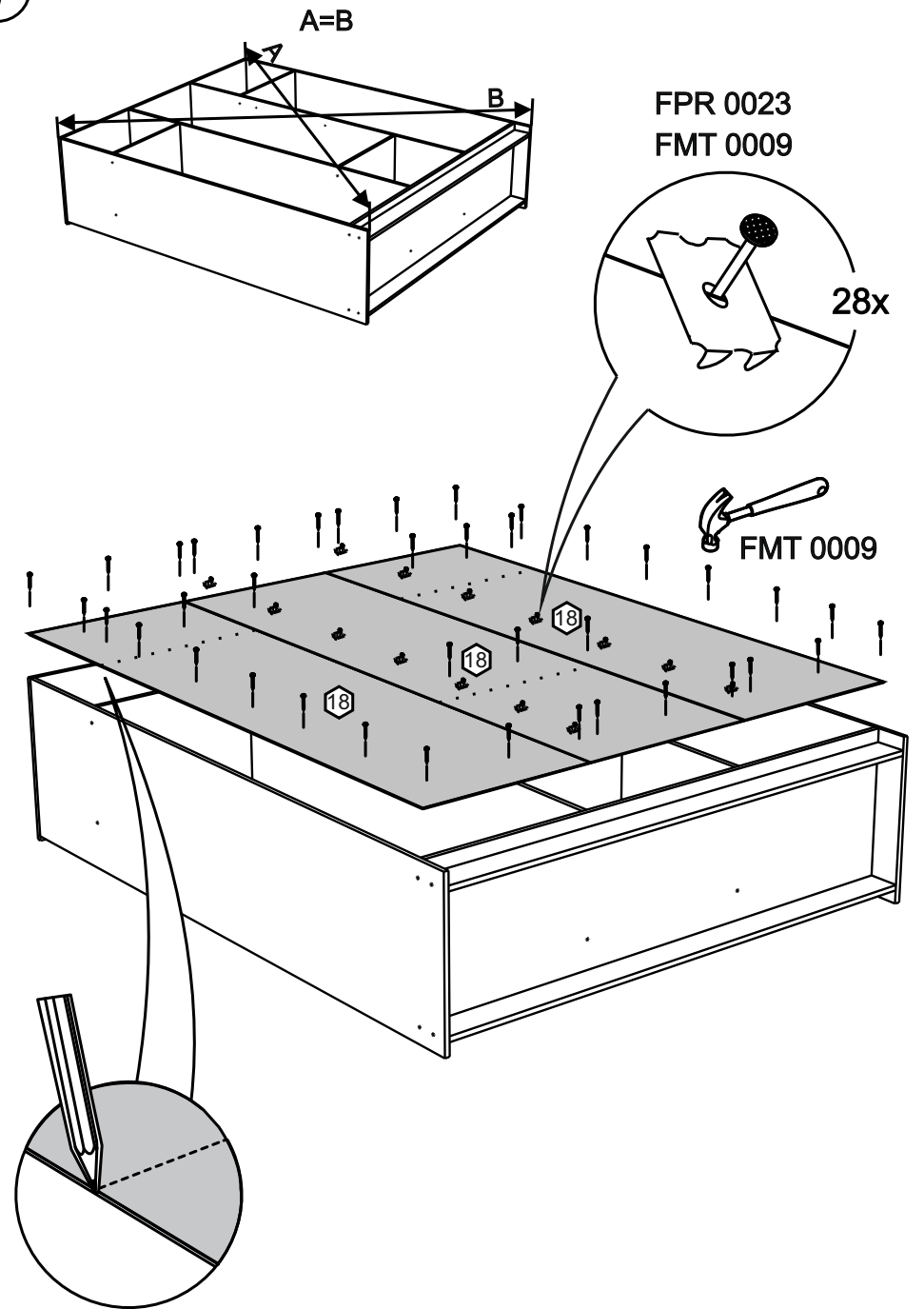
25



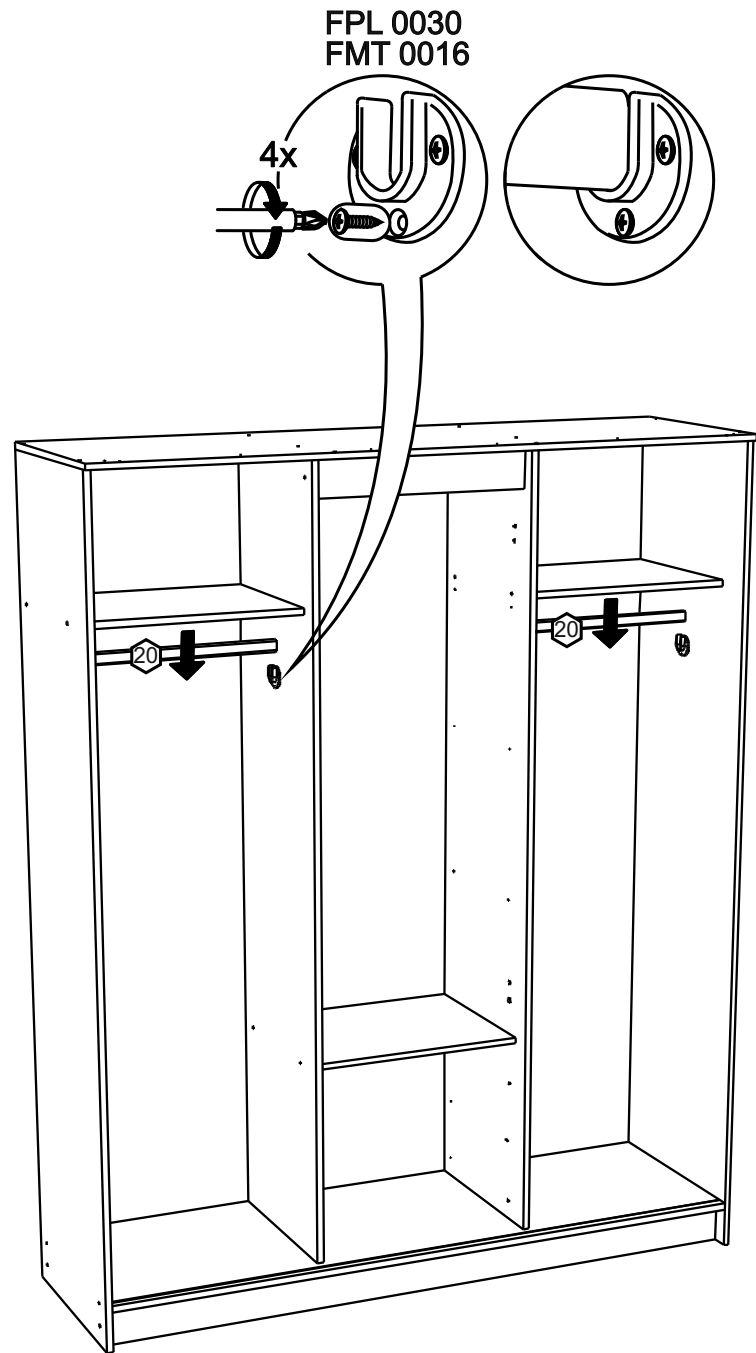
26



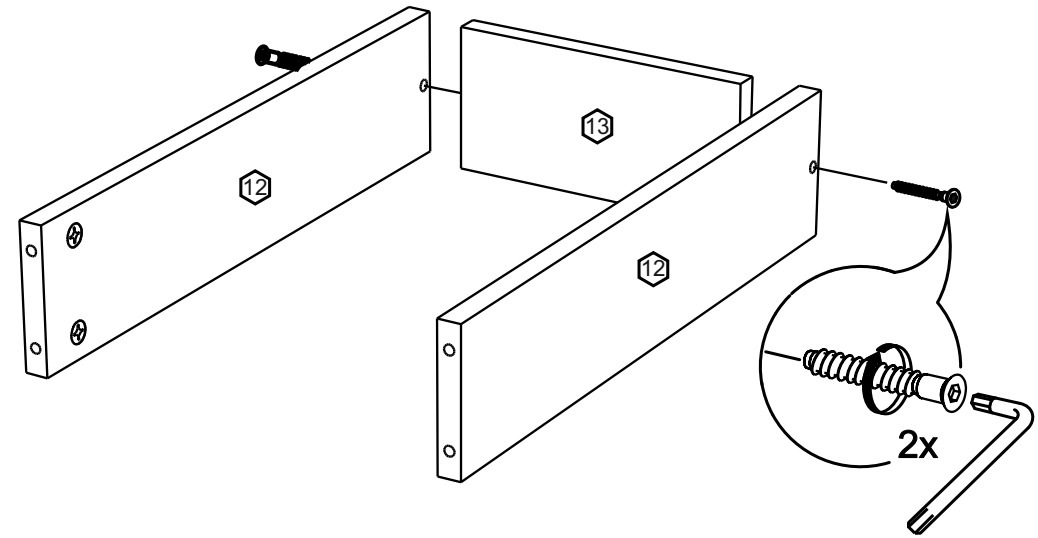
7



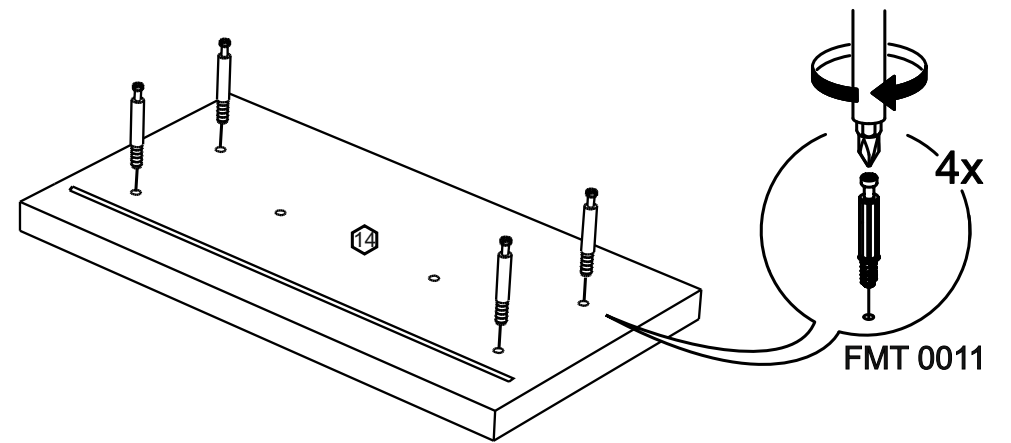
8



23

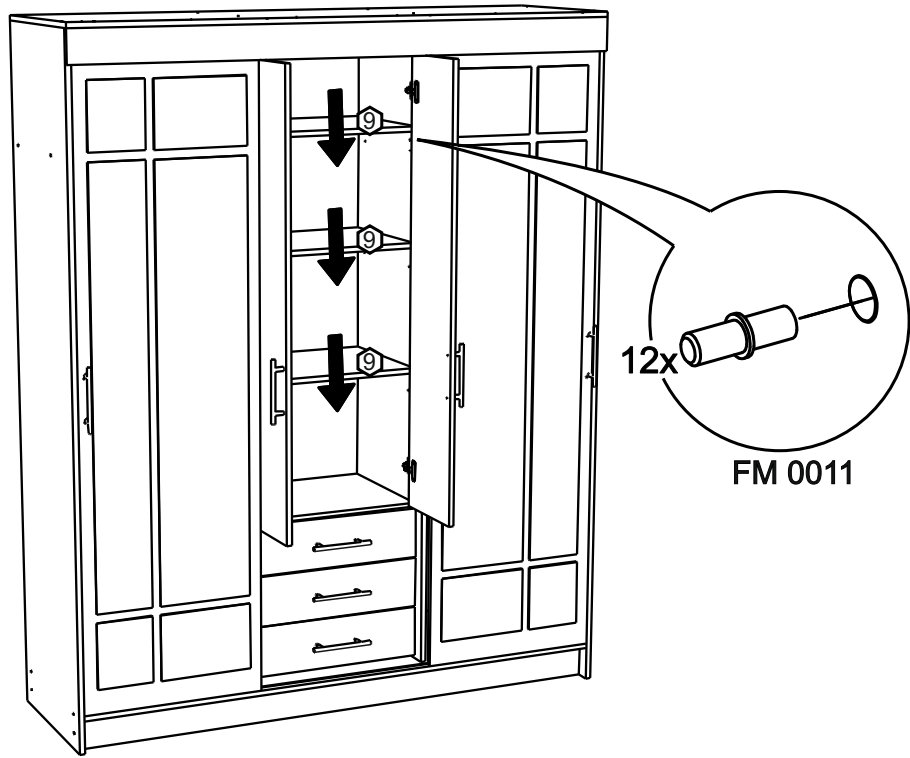


24

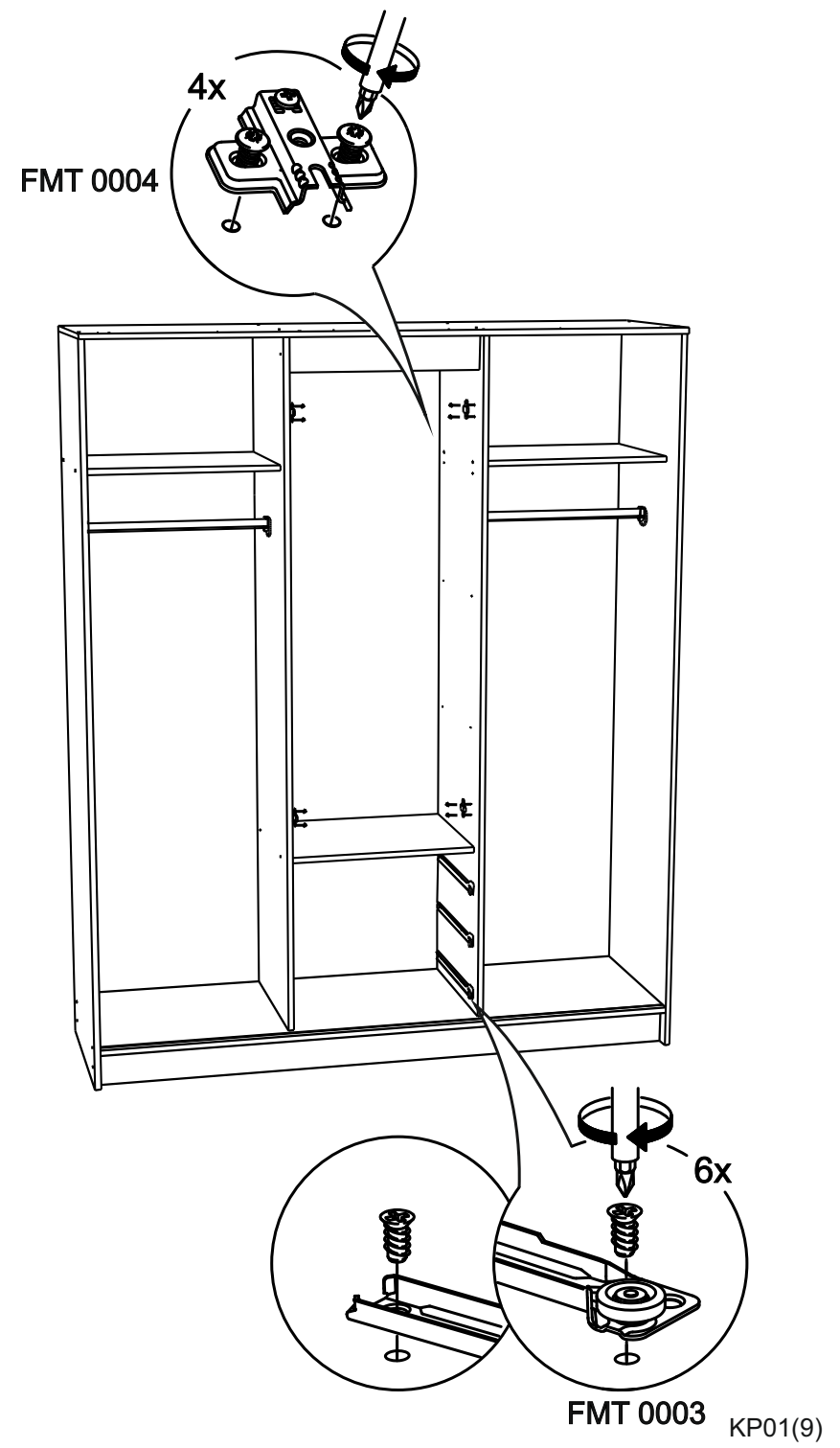




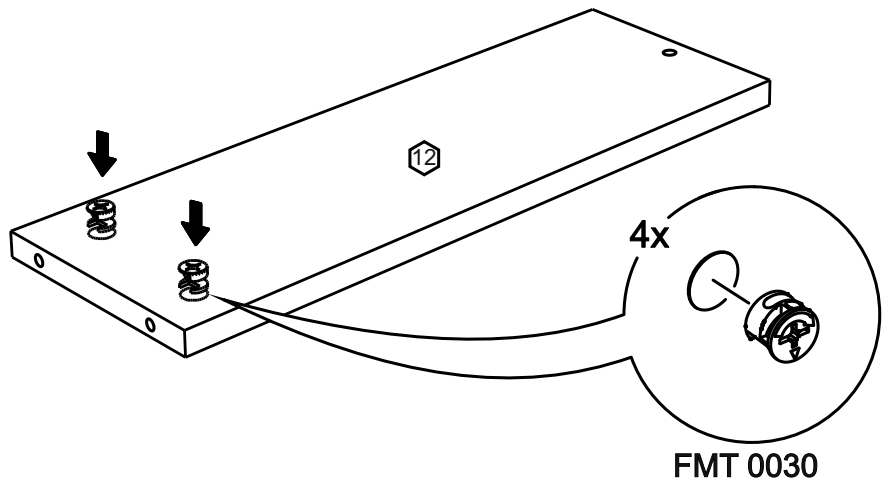
21



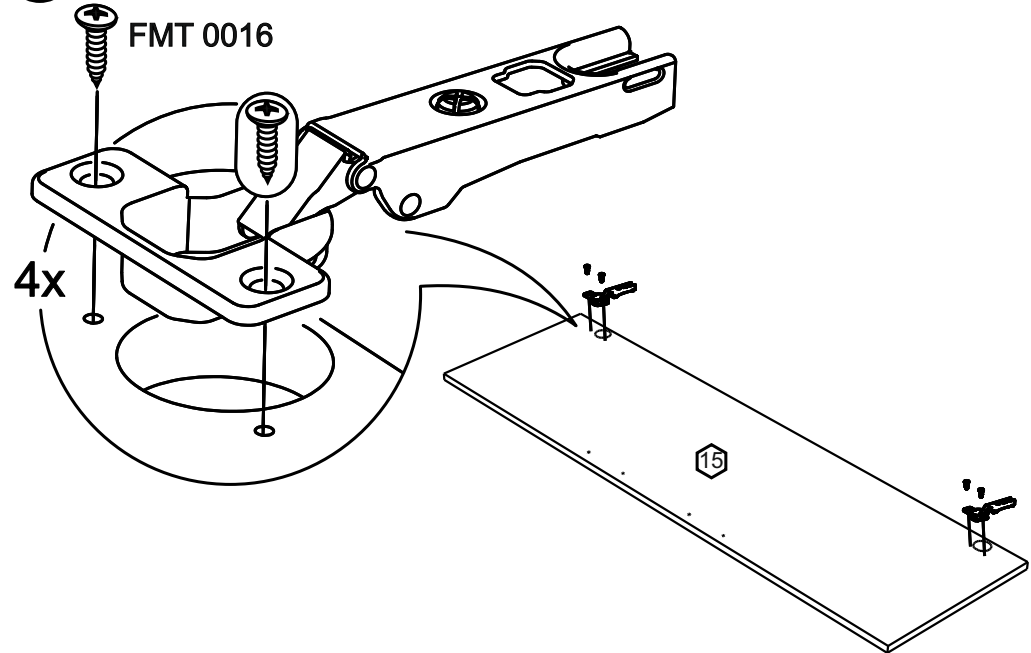
9



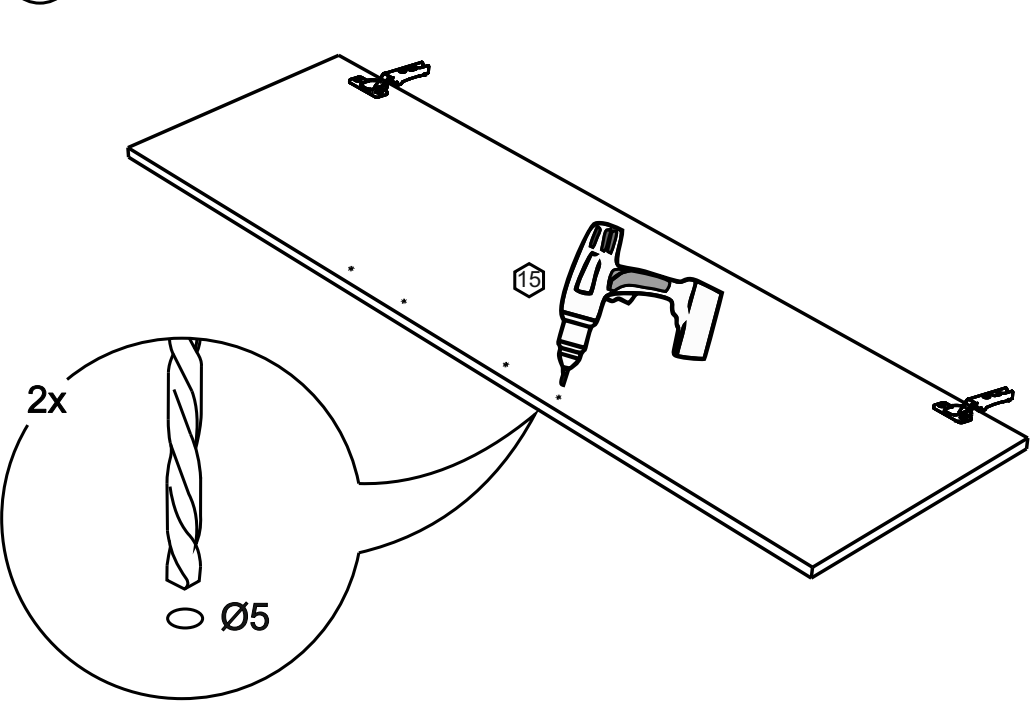
22



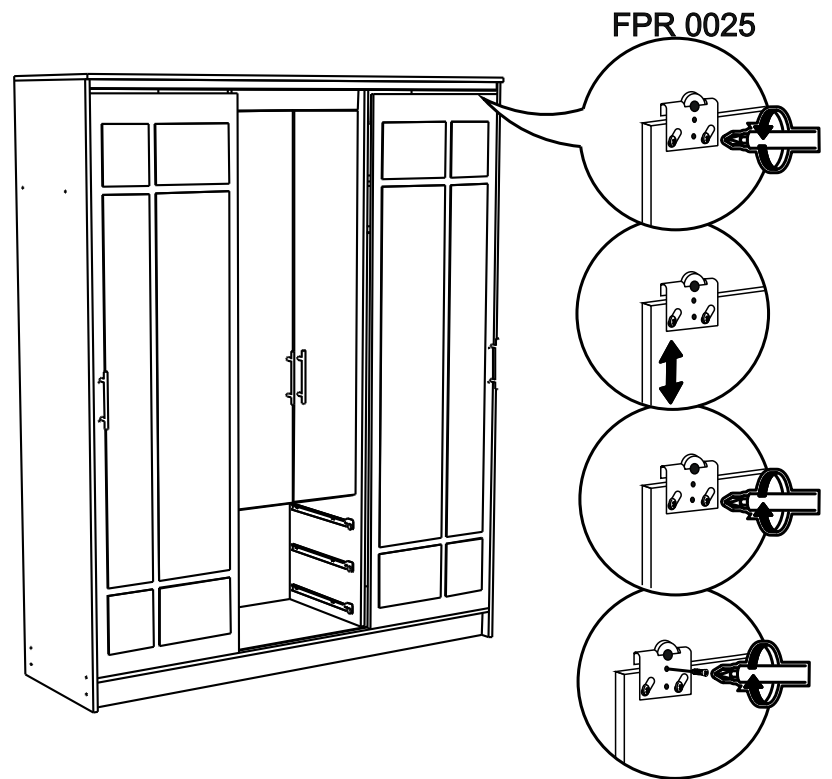
10



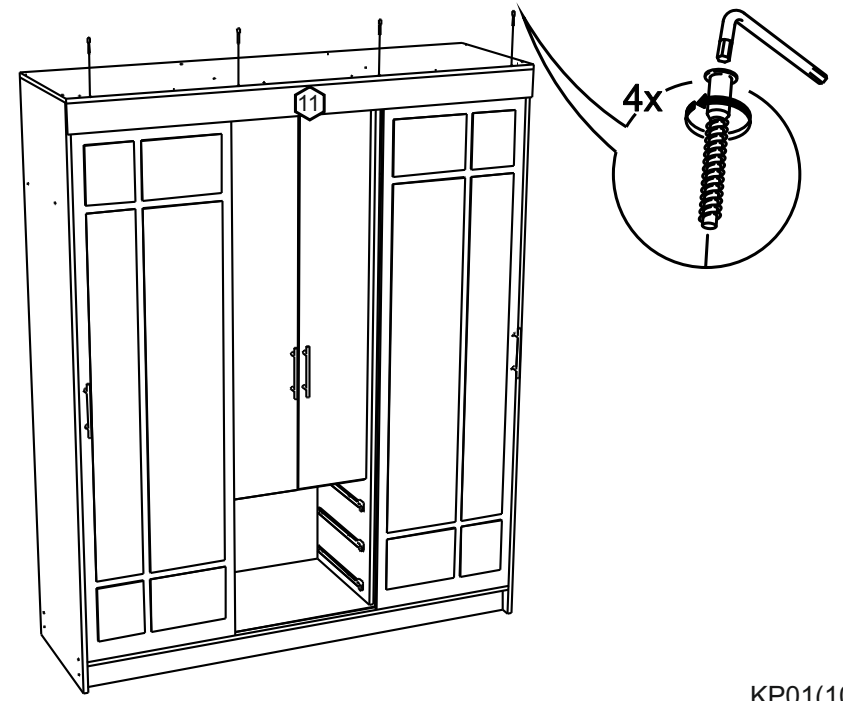
11



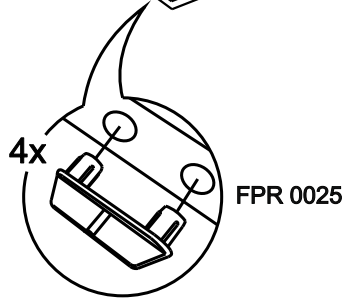
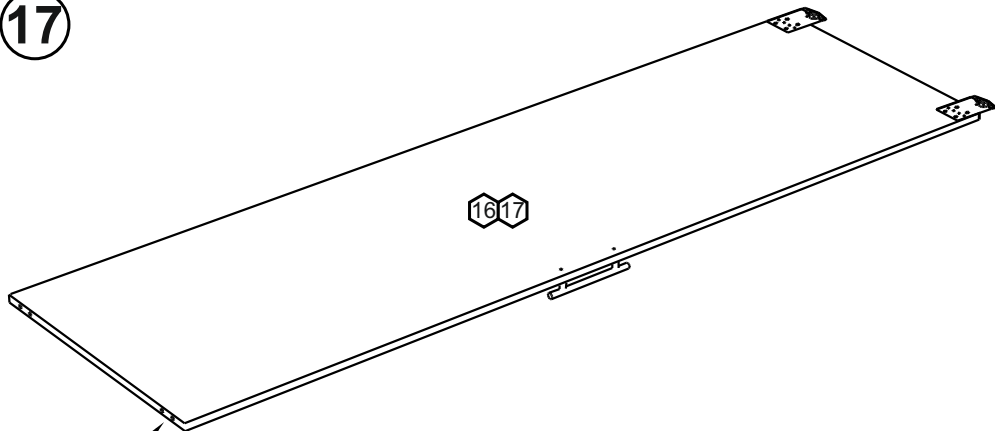
19



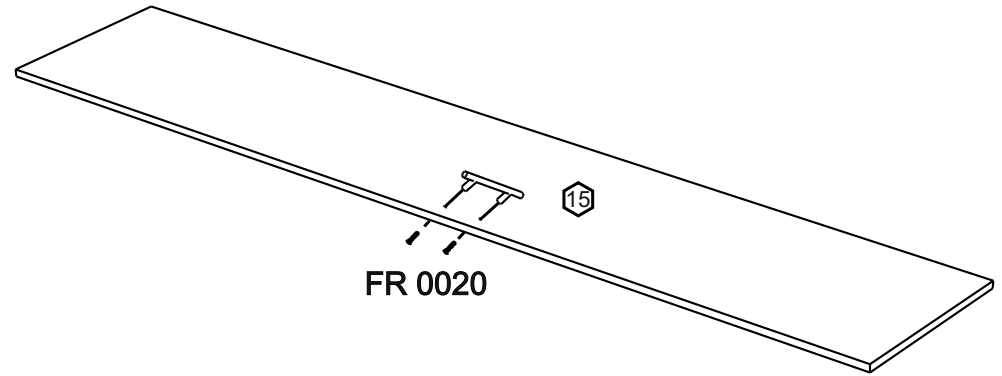
20



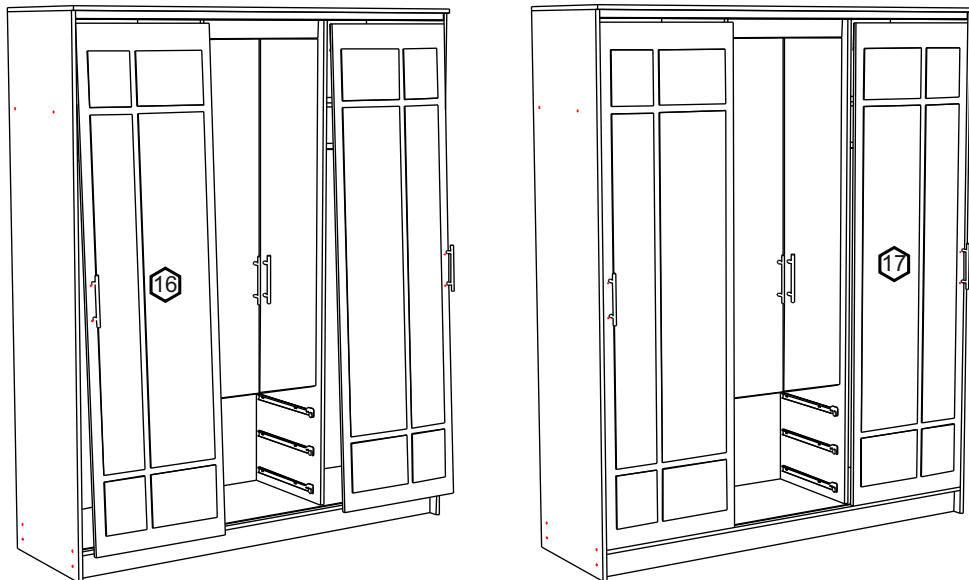
17



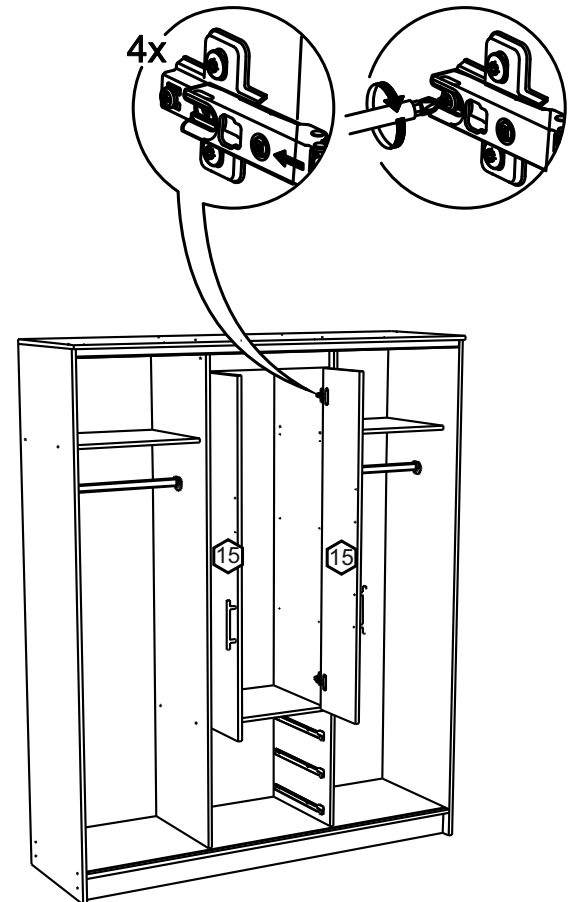
12



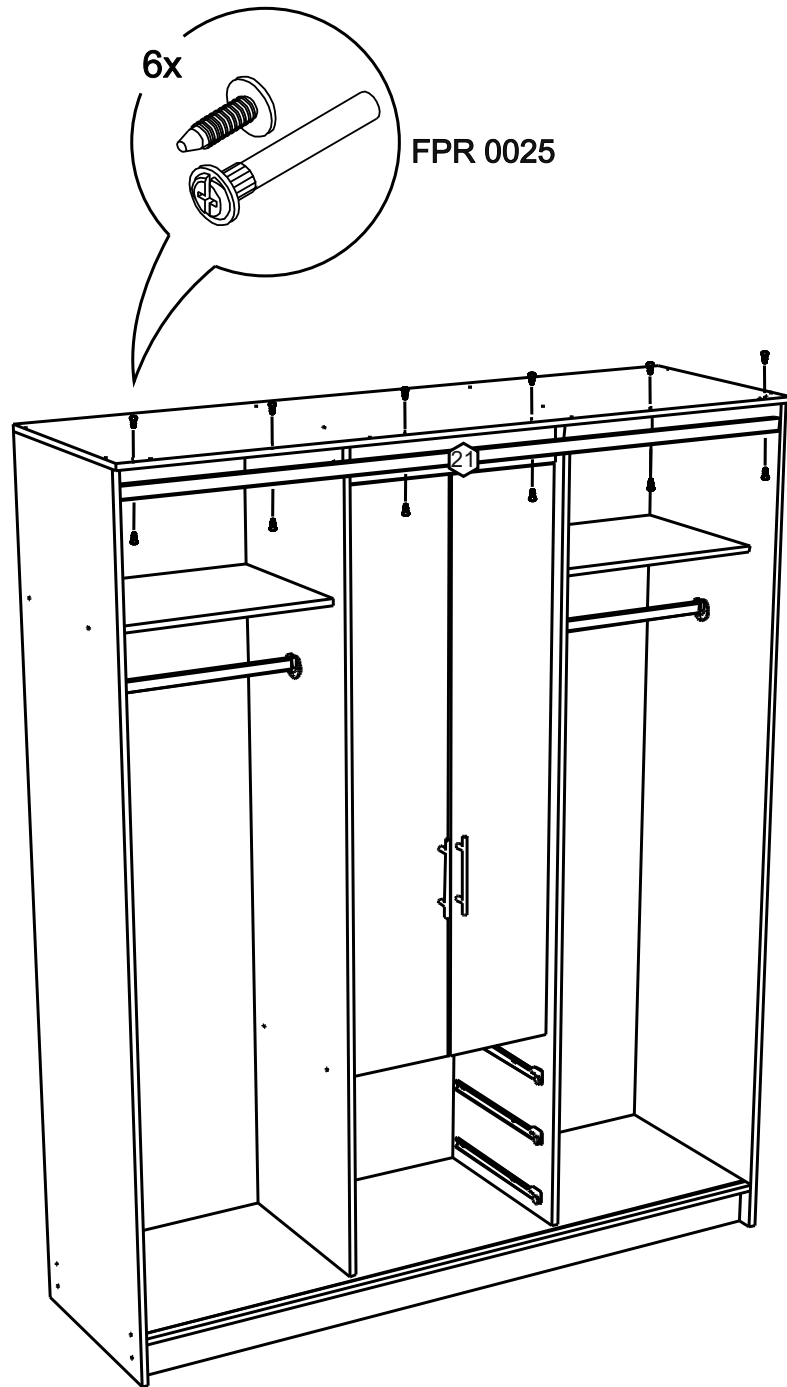
18



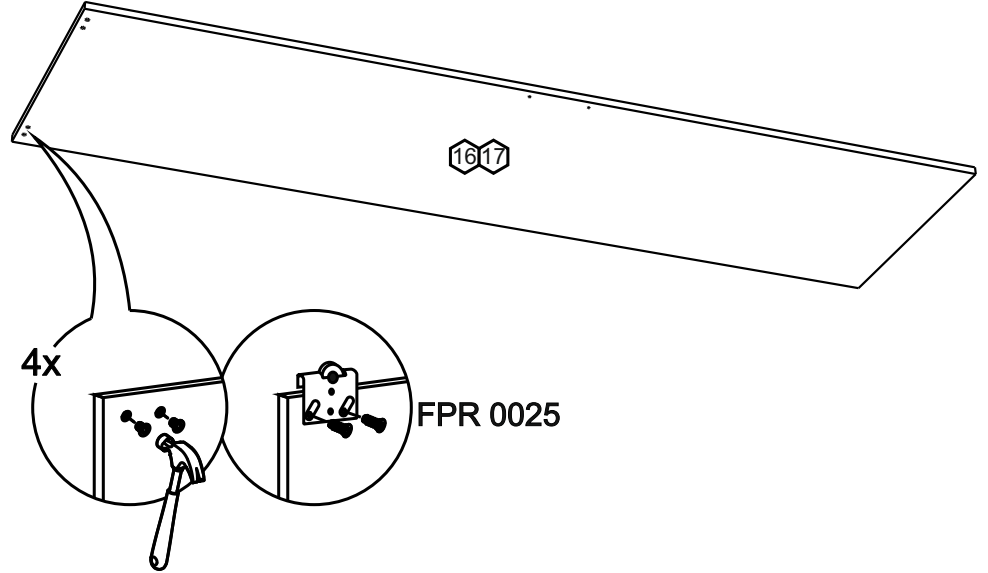
13



14



15



16

